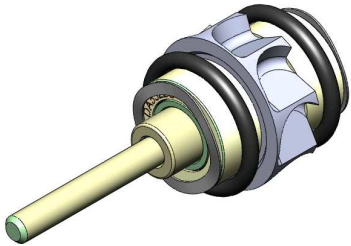




A HENRY SCHEIN® COMPANY

New Product Release

Replacement turbine for W&H Synea TA97 High speed Handpiece



Part Numbers

Description

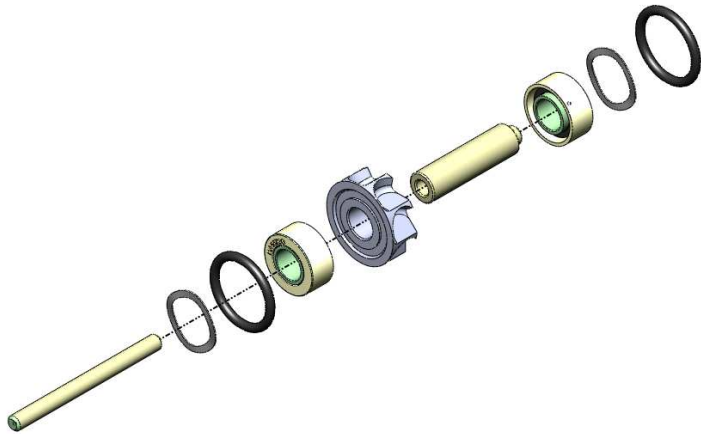
HWH8097-A55Z2G

Dynamic Perfection™ Replacement Turbine SST.

HWH8097-A55Z801

Dynamic Perfection™ Replacement Turbine Ceramic

Equivalent NSK OEM part # **05307200**



HKV200

Loading spring (2)

HAD195

O-ring (2)

HWH328

Impeller (1)

TSP590

Spindle (1)

DA55Z2G

Front & Back bearings (2) SST.

DA55Z2G-801

Front & Back bearings (2) Ceramic

For pricing and information regarding these products, please contact Handpiece Headquarters.

September 2, 2009



A HENRY SCHEIN® COMPANY

To Order These Products:

Handpiece Headquarters-HPR

620 S. Placentia Ave.

Placentia, CA 92870 USA

www.handpieceheadquarters.com

TEL (714) 579-0175

FAX (714) 579-0186