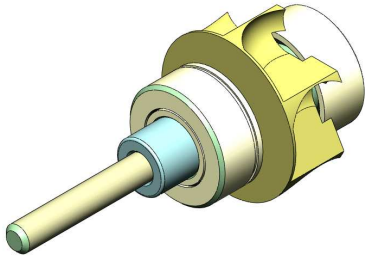


New Product Release

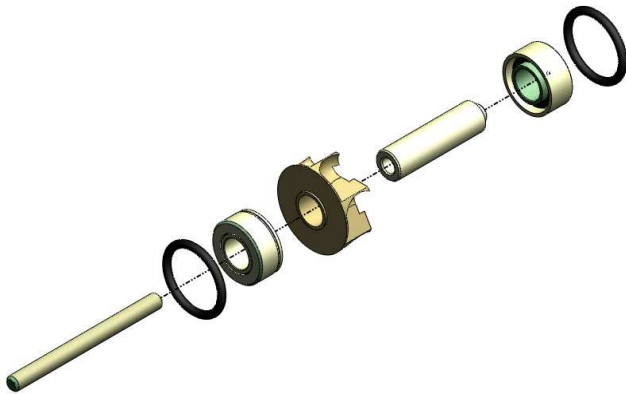
Replacement turbine for **SIRONA T3F RACER 4-Hole Fixed Connection** High speed Handpiece



Part Numbers
HSM876-A55Z2G

Description
Dynamic Perfection™ Replacement Turbine

Equivalent **SIRONA T3F RACER** turbine part # **59 48 968**



HSM166	O-ring (2)
HSM344	Impeller (1)
TSP525	Spindle (1)
DA55Z2G-1	Front bearing (1)
DA55Z2G	Back bearing (1)

For pricing and information regarding these products, please contact Handpiece Headquarters.

August 14, 2009